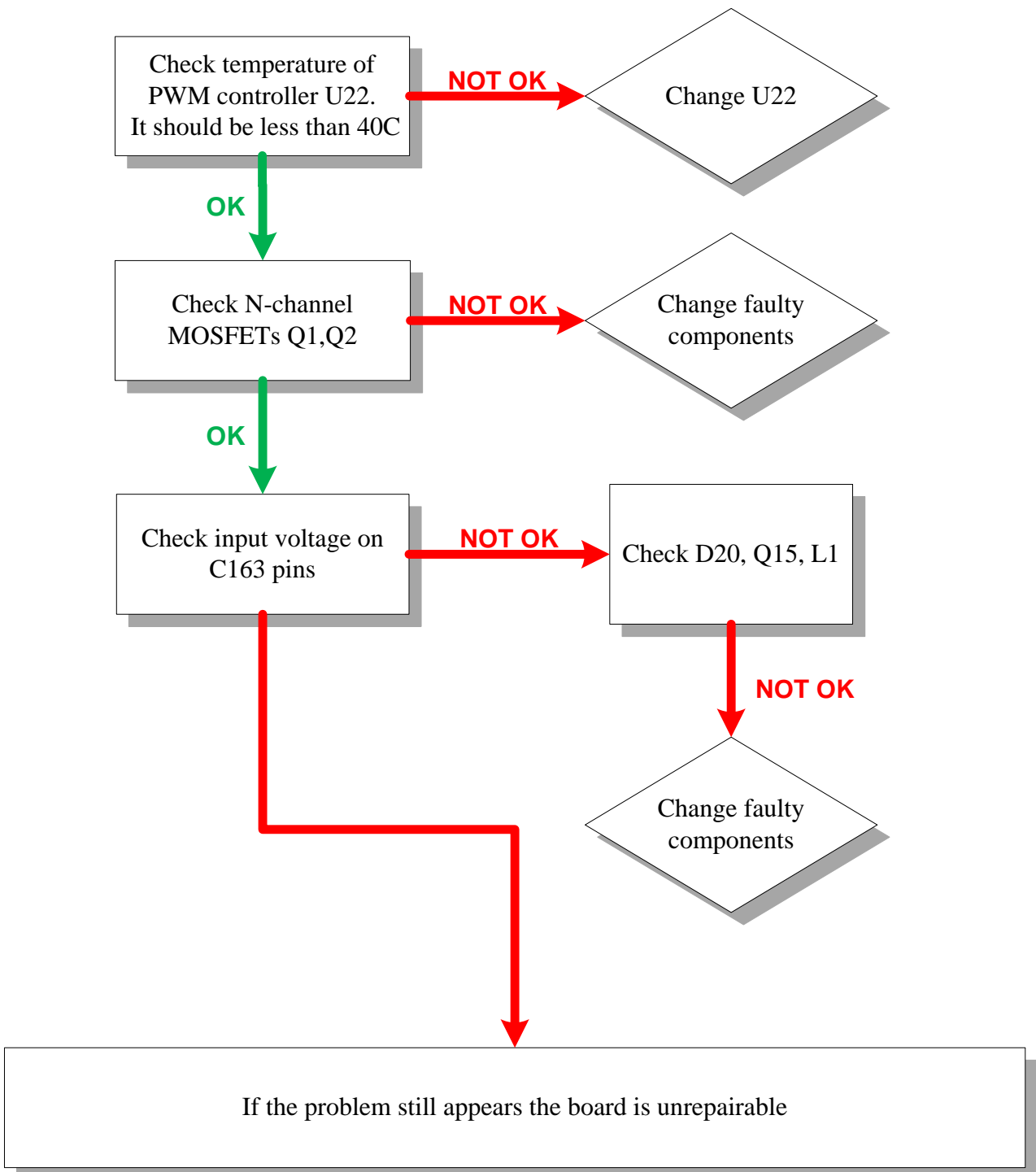


# RB532r5(new) Trouble shooting

These repair instructions are for **NON WARRANTY** repairs only!

Please make visual inspection for signs of corrosion or mechanical damages before starting.

**No power, blue LED doesn't shine. Jumpers settings at 12V.**

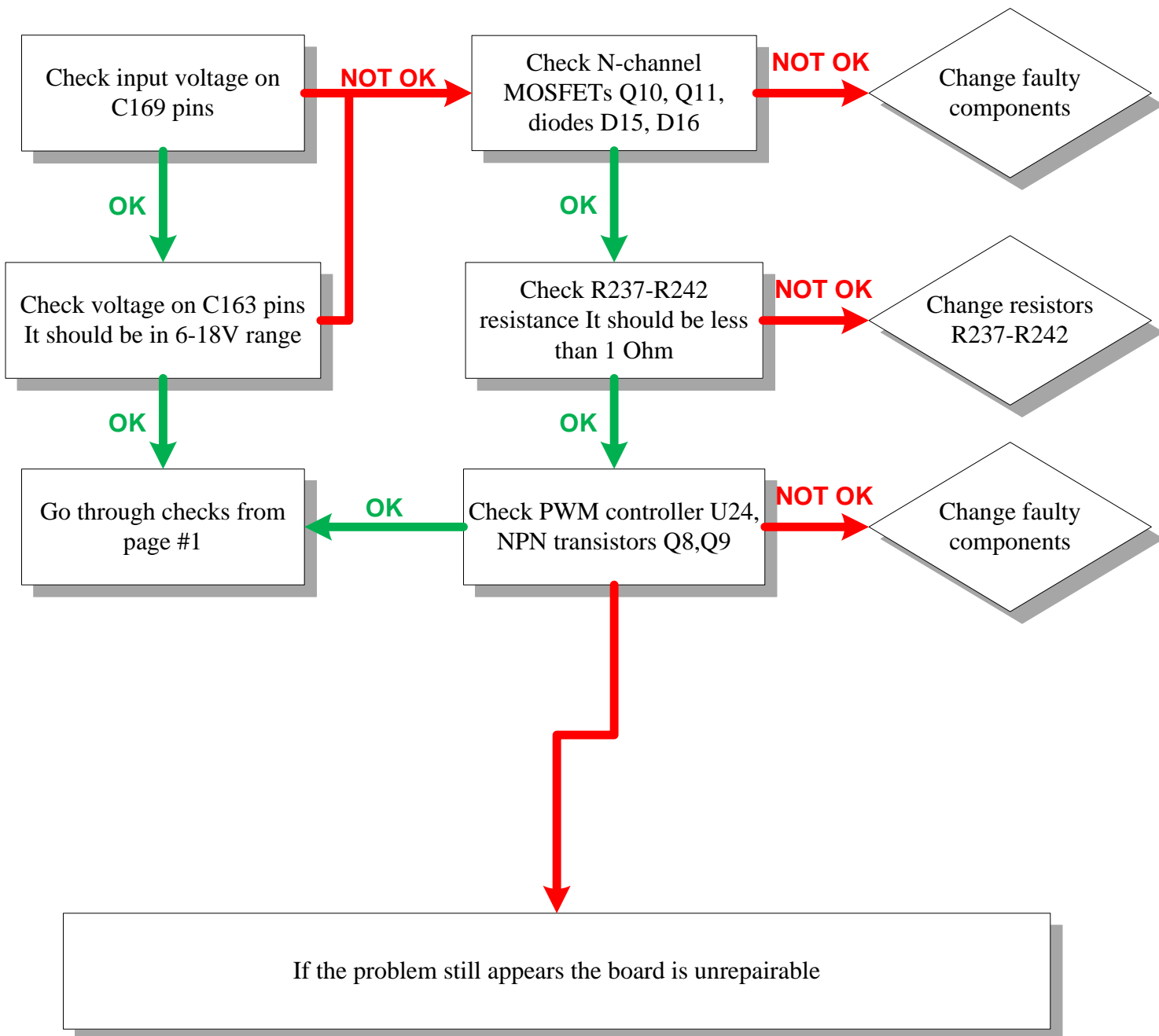


# RB532r5(new) Trouble shooting

These repair instructions are for **NON WARRANTY** repairs only!

Please make visual inspection for signs of corrosion or mechanical damages before starting.

**No power, blue LED doesn't shine. Jumpers settings at 48V.**

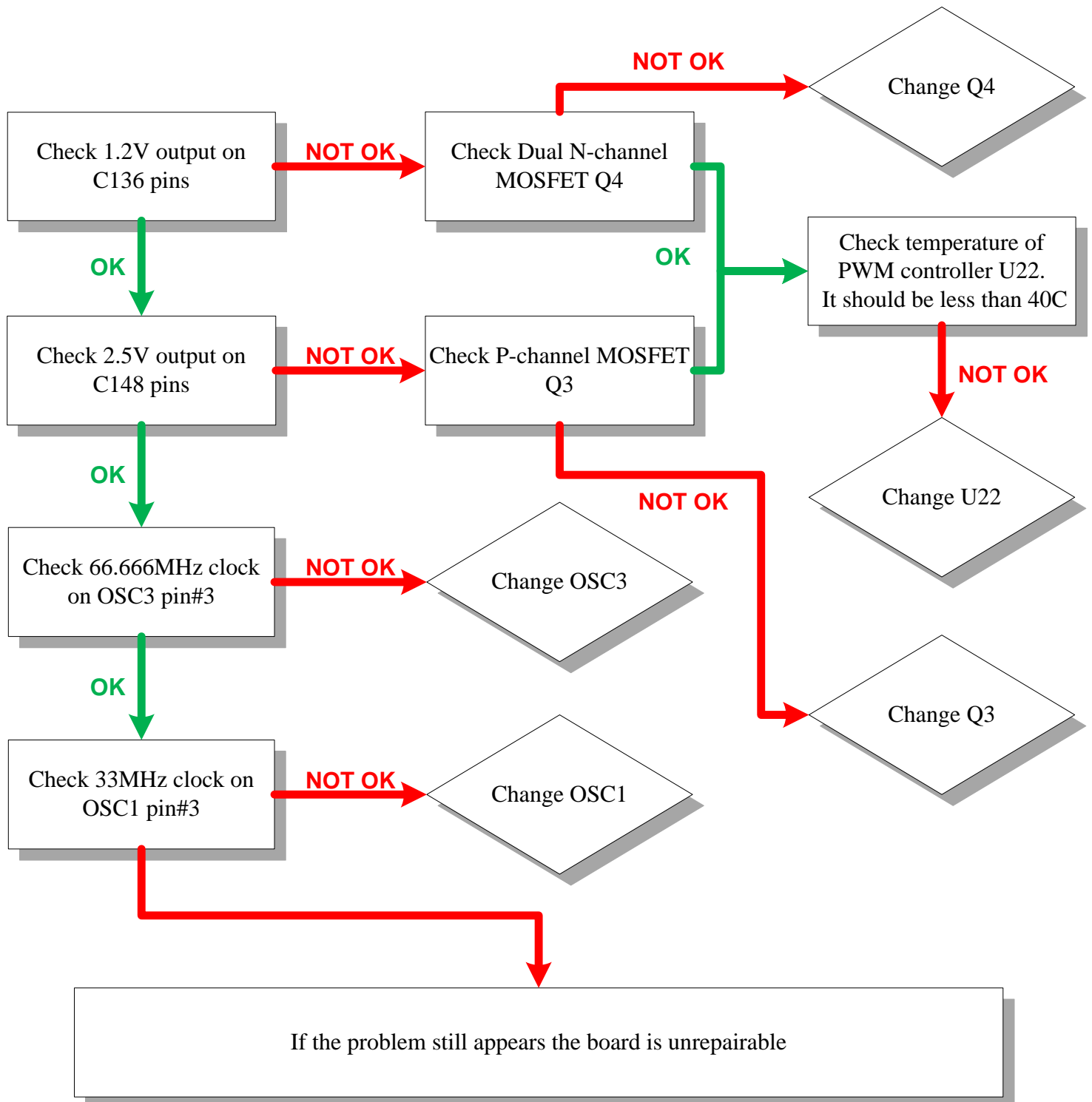


# RB532r5(new) Trouble shooting

These repair instructions are for **NON WARRANTY** repairs only!

Please make visual inspection for signs of corrosion or mechanical damages before starting.  
Also try to reset BIOS with S1 button and re-install Router OS with Netinstall.

**Doesn't boot, blue LED is ON.**

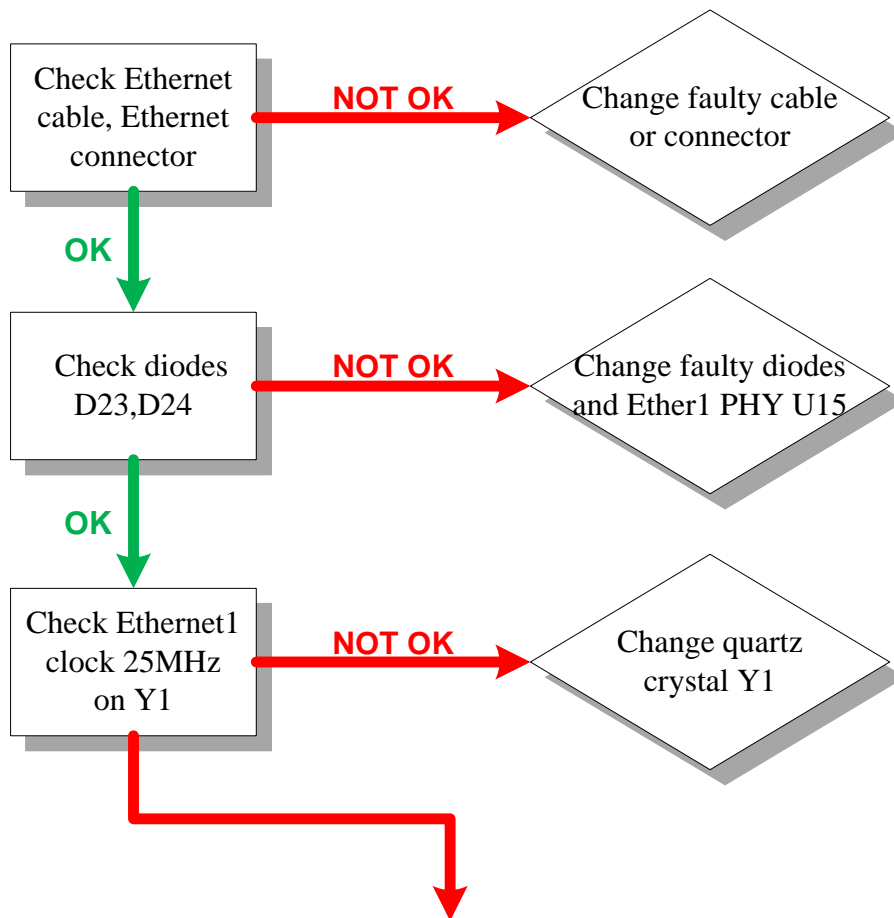


# RB532r5(new) Trouble shooting

These repair instructions are for **NON WARRANTY** repairs only!

Please make visual inspection for signs of corrosion or mechanical damages before starting.

## Ether 1 doesn't work, drops ping packets.



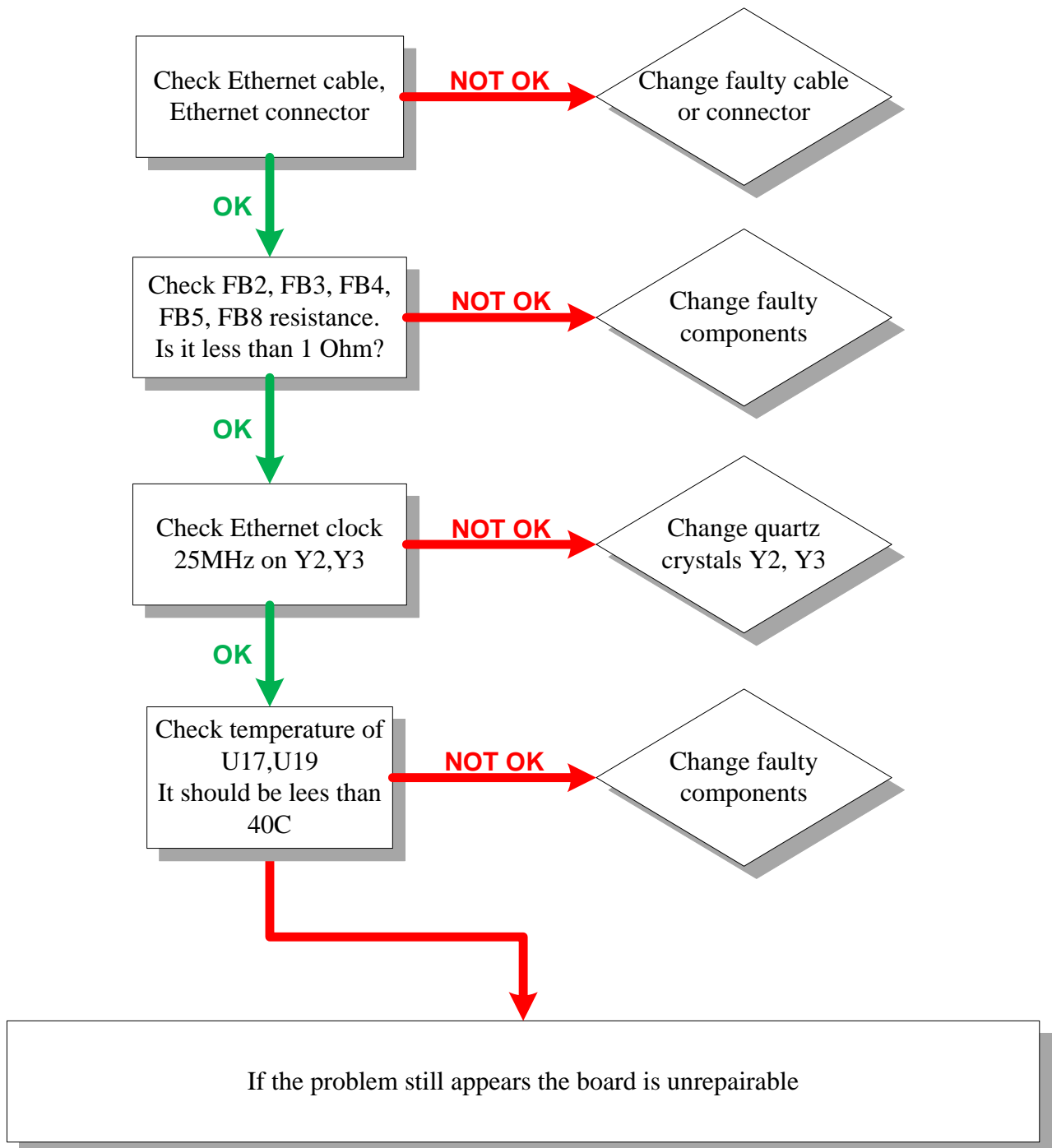
If the problem still appears the board is unrepairable

# RB532r5(new) Trouble shooting

These repair instructions are for **NON WARRANTY** repairs only!

Please make visual inspection for signs of corrosion or mechanical damages before starting.

**Ether 2 or Ether 3 doesn't work, drops ping packets.**



Reference number	Part number	Manufacturer	Description
D15, D16, D20	50WQ10FN	IRF	Schottky Rectifier 100V, 5.5A, DPAK
D23, D24	STPS2150A	ST	Schottky Diode 150V, 2A, SMA
FB2, FB3, FB4, FB5	BLM18AG121SN1D	Murata	Ferrite Bead 120 Ohm, 200mA, 0603
FB8	FLCA-453232-1R8KT	King Core	Inductor 1.8uH, 390mA, SMD
L1	BTS1206-02	King Core	Common mode choke
L3	CR75NP-3R3MC	Sumida	Inductor 3.3uH, 4A, SMD
OSC1	TGSCOM7530ADH01-33M000	TGS Crystals	Crystal Oscillator 33MHz, SMD, +/- 30PPM
OSC3	TGSCOM7530ADH01-66M666	TGS Crystals	Crystal Oscillator 66.666MHz, SMD, +/- 30PPM
Q1, Q2	AP9985GM	Advanced Power Tech	N-channel MOSFET 40V, 10A, SO-8
Q4	STS8DNF3LL	ST	Dual N-channel MOSFET 30V, 8A, SO-8
Q3	STS5PF20V	ST	P-channel MOSFET -20V, -5A, SO-8
Q8, Q9	BCP56-16T1G	ON Semi	NPN Transistor 80V, 1A, SOT223
Q10, Q11	STD5N20T4	ST	N-channel MOSFET 200V, 5A, DPAK
R237 – R242	ERJ-3RQF2R2V	Panasonic	Resistor 2.2Ohm, 1%, 0603
U15	ADM7001XACR1	Infinion	10/100 Ethernet PHY
U17, U19	VT6106HG	VIA	10/100 Ethernet controller
U22	ISL6402IVZ	Intersil	PWM Controller
U24	UCC3808D	TI	PWM Controller
Y1, Y2, Y3	TGSCSM2-25M0A50	TGS Crystals	25Mhz Crystal, SMD

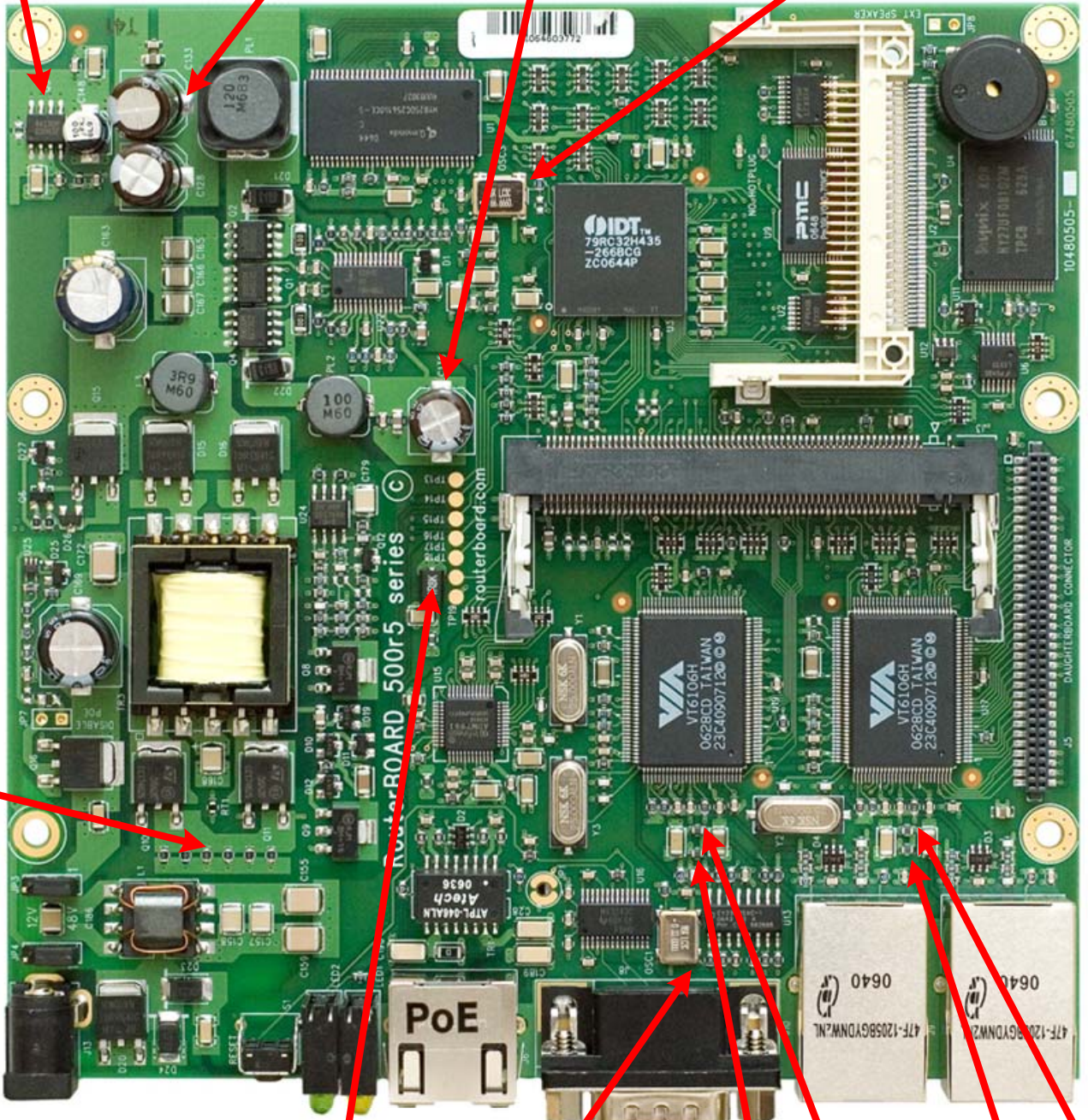
# RB532r5 Reference picture

2.5V output

3.3V output

1.2V output

66.666MHz clock



R237-R242

FB8

33MHz clock

FB4, FB5

FB2, FB3